



**United Nations
Environment
Programme**



Distr.
RESTRICTED

UNEP(OCA)/EAS IG.4/7
10 July 1993

Original: ENGLISH

Tenth Meeting of the Coordinating
Body on the Seas of East Asia (COBSEA)
on the East Asian Seas Action Plan

Bangkok, Thailand, 9 - 10 July 1993

REPORT OF THE TENTH MEETING OF THE
COORDINATING BODY ON THE SEAS OF EAST ASIA

INTRODUCTION

1. The Intergovernmental Meeting on the East Asian Seas Action Plan which was held in Bangkok during 9-11 December 1981, *inter alia*, established the Coordinating Body on the Seas of East Asia (COBSEA) in order to serve as the overall authority to determine the contents of the Action Plan, to review the progress of the Action Plan and to approve its programme of implementation through periodic meetings of the participating governments.
2. The Executive Director of the United Nations Environment Programme (UNEP), in accordance with this decision, convened the Tenth Meeting of Coordinating Body on the Seas of East Asia in Bangkok, Thailand, 9-10 July 1993.
3. All countries participating in the East Asian Seas Action Plan, together with representatives of the Governments of Brunei Darussalam, the People's Republic of China, and the Socialist Republic of Vietnam were invited to the meeting.
4. The United Nations, UNCTAD, UNDP, UNU, ESCAP, UNCHS, ILO, FAO, UNESCO, WHO, WMO, IMO, UNIDO, IAEA, IOC, CCOP, ASEAMS, EWC, IUCN, ASCOPE, SEAFDEC, ICLARM, IDRC, ICOD, GBRMPA, ADB, ASEAN Secretariat and Greenpeace^{1/} were invited to send observers to the meeting.
5. The meeting was held at the Siam City Hotel, Bangkok, Thailand, on 9-10 July 1993.
6. This document is the report of the Tenth Meeting of the Coordinating Body on the Seas of East Asia (COBSEA). The complete list of the participants and the observers is presented in Annex I to this report.

Agenda item 1. Opening of the meeting

7. Mr. Arthorn Suphapodok, Deputy Permanent Secretary, Ministry of Science, Technology and Environment, on behalf of the Royal Thai Government welcomed the participants to the meeting. While reiterating his Government's commitment to the East Asian Seas action plan he thanked UNEP for responding

^{1/} ASEAN Council on Petroleum (ASCOPE); Asian Development Bank (ADB); Association of South East Asian Nations (ASEAN); Association of Southeast Asian Marine Scientists (ASEAMS); Committee for Co-ordination of Joint Prospecting for Mineral Resources in Asian Offshore Areas (CCOP); East West Centre (EWC); Economic and Social Commission for Asia and the Pacific (ESCAP); Food and Agriculture Organization of the United Nations (FAO); Great Barrier Reef Marine Park Authority (GBRMPA); International Atomic Energy Agency (IAEA); International Centre for Living Aquatic Resources Management (ICLARM); International Centre for Ocean Development (ICOD), International Development Research Centre (IDRC); International Labour Organization (ILO); International Maritime Organization (IMO); Intergovernmental Oceanographic Commission (IOC); International Union for the Conservation of Nature and Natural Resources (IUCN); South-East Asian Fisheries Development Centre (SEAFDEC); United Nations Centre for Human Settlement (UNCHS); United Nations Conference on Trade and Development (UNCTAD); United Nations Educational, Scientific and Cultural Organization (UNESCO); United Nations Development Programme (UNDP); United Nations University (UNU); United Nations Industrial Development Organization (UNIDO); World Health Organization (WHO); and World Meteorological Organization (WMO).

to the Ninth COBSEA meeting's request in establishing the Regional Coordinating Unit for the East Asian Seas Action Plan (RCU/EAS) in Bangkok. He welcomed the participants from the People's Republic of China and the Socialist Republic of Vietnam and wished the Tenth COBSEA meeting success in their deliberations.

8. Mr. Peter C. Schröder, Director of the Oceans and Coastal Areas Programme Activity Centre (OCA/PAC) of UNEP, on behalf of the Executive Director of UNEP opened the meeting. He welcomed the participants and, on behalf of the Secretariat, briefly reviewed the relevant events preceding the meeting since the last meeting of COBSEA (Kuala Lumpur, Malaysia, 13-15 November 1991). He specifically referred to the Chapter XVII of the Agenda 21, the Seventeenth session of the Governing Council of UNEP and the establishment of the RCU/EAS by UNEP in response to the decisions of the Ninth COBSEA meeting. In conclusion he reiterated UNEP's continuing support to the East Asian Seas Action Plan which, with the participation of additional countries in it, he foresaw becoming one of the most dynamic in UNEP's Regional Seas Programme.

9. Mr. Reza Amini, the Acting Coordinator of the RCU/EAS, on behalf of the Secretariat, also welcomed the participants. He pointed out that with the establishment of the RCU/EAS in Bangkok the participating governments and the Secretariat would overcome the communication problems of the past and the Action Plan would enter a new and more vigorous phase of activities. He also pointed out that this was the first post-UNCED meeting of the COBSEA, where the Executive Director in preparing her report had, *inter alia*, taken the relevant issues agreed to at the UNCED and as reflected in Chapter XVII of the Agenda 21.

Agenda item 2. Organization of the meeting

10. The secretariat reminded the meeting that, in the absence of any objections, as agreed by the first meeting of COBSEA (UNEP/IG.37/10), the rules of procedure of UNEP Governing Council, as applicable to the meetings convened by the Executive Director, would be applied mutatis mutandis for this meeting. The meeting accepted the proposal.

11. On the basis of the agreement reached in the first meeting of COBSEA (UNEP/IG.37/10, paragraph 8), in order to be consistent with the procedures used by the ASEAN Senior Officials on the Environment (ASOEN), the Chairman, Vice-Chairman and Rapporteur of the Tenth Meeting of COBSEA were designated on the same rotating basis as follows:

Chairman:	Mr. Arthorn Suphapodok	(Thailand)
Vice-Chairman:	Dr. Surna T. Djajadiningrat	(Indonesia)
Rapporteur:	Mr. Rodrigo Fuentes	(Philippines)

12. The secretariat proposed, and the meeting agreed, to carry out its work in plenary sessions with support of ad hoc working groups if established during the meeting.

13. The meeting was conducted in English.

Agenda item 3. Adoption of the agenda

14. The Provisional Agenda [UNEP(OCA)/EAS IG.4/1/Cor.1], the Provisional Annotated Agenda [UNEP(OCA)/EAS IG.4/2/Cor.1] and the Provisional List of Documents [UNEP(OCA)/EAS IG.4/INF.1/Cor.1]

were introduced by the secretariat. The meeting considered the proposed agenda and list of document and adopted them without modification. The Adopted agenda, as well as the final list of documents, are presented respectively as Annex II and Annex III to this report.

Agenda item 4. Report of the Executive Director

15. The Director of OCA/PAC and the Acting Coordinator of the RCU/EAS presented the Executive Director's Report to the Tenth Meeting of COBSEA [UNEP(OCA)/EAS IG.4/3], reviewing the developments concerning the Action Plan and the progress of its implementation since the Ninth Meeting of COBSEA. With reference to the decisions of the Ninth Meeting of the COBSEA and in particular the workplan and the budget adopted at that meeting [UNEP(OCA)/EAS IG.3/11, Table 1], the meeting was informed of the development and the present status of:

- (a) the ongoing and recently completed COBSEA approved projects;
- (b) establishment of the Regional Coordinating Unit for the East Asian Seas Action Plan (RCU/EAS);
- (c) the details of the expenditures and commitments of the East Asian Seas Trust Fund as well as that of the Environment Fund of UNEP in relation to the Action Plan; and
- (d) the additional activities of UNEP and other international organizations towards further development of the East Asian Seas action plan which were carried out at no extra cost to the East Asian Seas Trust Fund.

16. The Acting Coordinator of the RCU/EAS, with reference to the relevant sections of the Executive Director's Report, also provided detailed information on the Secretariat's response to the various decisions of the Ninth meeting of the COBSEA that required UNEP to prepare and circulate specific reports. The reports that were to be prepared were:

- (a) *"Proposal for the Establishment of the Regional Coordinating Unit for the East Asian Seas Action Plan (RCU/EAS)";*
- (b) *"UNEP's Proposals for the Future Role of the Coordinating Body on the Seas of East Asia (COBSEA) and Its Future Mode of Operation";* and
- (c) *"Environment Fund and the East Asian Seas Trust Fund: Their Contribution and Support to the Development of the East Asian Seas Action Plan".*

17. Recalling the decision of the Ninth COBSEA meeting that requested UNEP to step up its activities in inviting other countries of the wider East Asian Seas region to join the Action Plan, the Acting Coordinator of the RCU/EAS informed the meeting of the latest developments. Referring to his earlier written notifications sent to the National Focal Points of the East Asian Seas on 9 June and 2 July 1993, he reported on the formal request of the Government of the Socialist Republic of Vietnam to join the East Asian Seas Action Plan and the decision of the People's Republic of China to send two observers to the Tenth COBSEA meeting while that the relevant authorities of that country were actively considering the issue. He also informed the meeting that informal discussions were also being carried out with the authorities in Australia, Cambodia, and Myanmar.

18. The heads of delegation of the participating countries in the Action Plan unanimously welcomed the observers from the Socialist Republic of Vietnam and the Peoples Republic of China. They informed the observers from P.R.of China that they are hoping that their government would soon inform the RCU/EAS of their intention to join the East Asian Seas Action Plan.

19. The meeting also requested for UNEP to continue their efforts in inviting the governments from the other countries of the wider East Asian Seas region to join the Action Plan. With this in mind and once all the interested countries had formally declared their intention to join the Action Plan, the meeting requested UNEP to arrange a high level intergovernmental meeting in conjunction with meeting(s) of COBSEA. The purpose of this high level meeting would be:

- formalization of the details of the membership in the expanded East Asian Seas region;
- review and revision of the Action Plan in line with the developments since its adoption in 1981 and the reflection of the issues raised in the Agenda 21 with particular reference to Chapter XVII; and
- review and agreement on the Institutional and Financial arrangements pertaining to the Action Plan.

Agenda item 5. Review of 1991-1993 programme activities

(a) Ongoing East Asian Seas projects

20. Under this section of the Agenda item 5 the progress in the implementation of the ongoing East Asian Seas project, *Development of management plans for endangered coastal and marine living resources in East Asia-Phase II*, was presented to the meeting by the project coordinator.

21. FP/ES/5102-87-03 (EAS 25): *Development of management plans for endangered coastal and marine living resources in East Asia-Phase II*: Referring to the document UNEP(OCA)/EAS IG.4/4, originally submitted by the Malaysian National Focal Point for the East Asian Seas Action Plan, the project coordinator briefed the meeting of the activities undertaken and the results obtained.

22. The coordinator of the project particularly emphasized the benefits resulting from the Malaysian National Focal Point's request to UNEP to provide assistance in the development and the finalization of the project proposal for the EAS-25 [Activity (f) of Table 1 of UNEP(OCA)EAS IG.3/11]. This approach not only dispensed with the time-consuming and lengthy correspondence but also ensured the speedy approval of the final project proposal within UNEP.

23. In conclusion the project coordinator, based on the results of the EAS-25 as well as the EAS-19 project, recommended that in order to keep the momentum of these projects the meeting could consider the development of two separate but interlinked project proposals:

- (a) Conservation and Sustainable Development for the East Asian Seas (UNEP(OCA)/EAS IG.4/INF.5); and

(b) Coastal Resources Management Plan Project for the East Asian Seas Region (UNEP(OCA)/EAS IG.4/INF.6).

24. The Chairman invited the meeting to (a) review and evaluate the results of the project based on the relevant sections of the Executive Director's Report and the project progress report submitted by the project coordinator, (b) to consider the application of the same approach as the one used by the Malaysian National Focal Point for the East Asian Seas Action Plan in the development of future project proposals, and (c) consider and decide on the Government of Malaysia's recommendations on the development of the two proposed projects during their deliberations of the 1993-1994 workplan and budget.

25. The meeting expressed its satisfaction on the implementation of this project. The participants particularly appreciated the benefits derived from holding the Workshop of the EAS-25 back to back with the IUCN/World Bank/GBRMPA Workshop. This ensured the efficient use of resources and the fact that resource persons from the latter could input the former, creating desirable linkages and exchange of results and information. The meeting also decided to discuss the question of the modality of development of the future COBSEA approved project proposals and the two proposed follow-up project under agenda item 8.

26. With regards to the EAS-23 project proposal, *Oil Pollution Control in the East Asian Seas Region: "Umbrella" Project*, the Thai delegation took note that the statement in document entitled "*Report of the Executive Director of UNEP on the Implementation of the East Asian Seas Action Plan 1992-1993*" [UNEP(OCA)/EAS IG.4/3, paragraph 10] is not correct. Since it is not in conformity with the resolution of the Ninth meeting of the COBSEA, it should be replaced by the actual resolution of the Ninth meeting of the COBSEA as it appears in paragraphs 52 and 53 of [UNEP(OCA)/EAS IG.3/11]. In this connection, the meeting reaffirmed the established procedure in COBSEA that after the project was approved by the meeting, the Secretariat has the duty to carry out the development of the project without reinterpretation or revision of the resolution.

(b) Establishment of the Regional Coordinating Unit for the East Asian Seas Action Plan

27. The Secretariat informed the meeting that based on the request of the Ninth COBSEA meeting the Executive Director of UNEP arranged for the establishment of the Regional Coordinating Unit for the East Asian Seas Action Plan (RCU/EAS). The RCU/EAS is now functional at the UN Building in Bangkok. Presently the RCU/EAS is staffed by two Professional Staff: Coordinator (see paragraph 28 below) and Junior Programme Officer (Indonesian), and three General Service Staff: one Administrative Assistant (Thai) and two Secretaries (Thai). While the costs involving the General Service Staff recruitment are borne by the resources of UNEP's Environment Fund and Trust Fund, the Junior Programme Officer is supported through funds provided by the Government of Netherlands.

28. The meeting was also informed that based on the decision of the Ninth COBSEA meeting [paragraph 56 of UNEP(OCA)/EAS IG.3/11], requesting the Executive Director to appoint a full time programme officer to the East Asian Seas programme, as further contribution of UNEP to the development of the East Asian Seas Action Plan, from 1 May 1993 the Executive Director of UNEP appointed the Acting Coordinator of the RCU/EAS from UNEP's staff. Furthermore, with the expected increase in the workload of the RCU/EAS, from January 1994 a second programme officer will be recruited from one of the region's participating countries to augment the technical personnel of the RCU/EAS. The relevant UNEP Vacancy Announcement is expected to be released by the fourth quarter of 1993 to the National Focal Points of the participating countries.

29. The Chairman requested the meeting to take note of these developments.

30. The meeting unanimously commended UNEP and expressed their appreciation to the Executive Director of UNEP for responding expeditiously and favourably to the requests of the Ninth meeting of the COBSEA concerning the establishment of the RCU/EAS.

31. While urging the RCU/EAS to bring about coordination in the various regional activities concerning the coastal and marine environment, the meeting also expressed their satisfaction on the improvement in the flow of the information and commended the RCU/EAS's achievements in the short time since its formation. Furthermore, the participants of the meeting pledged support and to work closely to assist the RCU/EAS in discharge of its functions.

32. On the question of the location of the RCU/EAS the meeting, after seeking additional information from the Secretariat, decided to continue with the present arrangements of having the RCU/EAS at the UN Building in Bangkok. It was felt that in its formative stages and with the limited funds available the RCU/EAS would benefit from the general support of the UNEP's Regional Office for Asia and the Pacific as well as the administrative arrangements provided by ESCAP. The meeting, however, did not preclude the possibility of locating the RCU/EAS in another participating country in the future.

(c) Association of Southeast Asian Marine Scientists (ASEAMS)

33. The Chairman of the Association of the Southeast Asian Marine Scientist (ASEAMS) presented the report of the activities of the Association since the last COBSEA meeting [UNEP(OCA)/EAS IG.4/5] together with that of the Second General Assembly of the Association.

34. The Chairman invited the meeting to take note of the progress of the activities of ASEAMS and make any recommendations concerning the enhancement of the input of the ASEAMS into the technical aspects of the East Asian Seas Action Plan.

35. The meeting congratulated the new Chairman of the ASEAMS on his election and urged him to continue coordinating the input of the ASEAMS on the technical aspects of the COBSEA approved projects and project proposals. The meeting thanked UNEP for its support since it assisted in the establishment of the ASEAMS and requested this support to be continued in the future.

36. The meeting also stressed the fact that ASEAMS in bringing together the scientists of the region now functions as independent scientific advisory body both to UNEP and to COBSEA. However, the meeting requested the Chairman of ASEAMS to ensure that the membership is not exclusive to the COBSEA member States but open to the wider scientific community.

Agenda item 6. Financial report for the period 1975-1992

37. The Secretariat, referring to the relevant decision of the Ninth COBSEA meeting provided the background information on the preparation of the document of "*Environment Fund and the East Asian Seas Trust Fund: Their Contribution and Support to the Development of the East Asian Seas Action Plan*" [UNEP(OCA)/EAS IG.4/6]. The document was then presented as the financial report for the period of 1975-1992.

38. The Chairman invited the meeting to take note of the financial report of the 1975-1992 period and if necessary request further clarification and elaboration from the Secretariat.

39. The meeting expressed its satisfaction and thanked UNEP for the preparation of this report in the comprehensive manner presented.

Agenda item 7. The Future Role of the Coordinating Body on the Seas of East Asia (COBSEA) and its Future Mode of Operation

40. The Secretariat recalled the decisions of the Ninth COBSEA meeting concerning the expansion of its membership to wider East Asian Seas and inviting other countries of the region to participate in the East Asian Seas Action Plan together with the request to UNEP to prepare a draft document outlining UNEP's perception and proposals on the future role of the COBSEA and its future mode of operation. The report which was prepared and circulated on 4 June 1992, after the inclusion of comments received from the National Focal Points, is attached as Annex II of the Report of the Executive Director [UNEP(OCA)/EAS IG.4/3].

41. The Secretariat informed the meeting that the report was prepared on the basis of the Institutional and Financial arrangements adopted by the First meeting of the COBSEA and annexed to the *Action Plan for the Protection and Development of the Marine and Coastal Areas of the East Asian Region*. The Secretariat outlined the sections that were added and/or amended as a result of (a) changes that had occurred since the adoption of the Action Plan in 1981 and (b) due to the decisions of the Ninth meeting of the COBSEA (*viz.* expansion of the membership in the East Asian Seas region, inviting other countries to join the Action Plan, establishment of the RCU/EAS, development of major projects for the region, etc.).

42. The Chairman invited the meeting to review the document, amend it as necessary and adopt it.

43. The meeting after requesting additional explanation and information made certain amendments to the document and adopted it as Annex IV of this document.

Agenda item 8. Workplan and Budget for the biennium 1993-1994

44. The Secretariat presented the Executive Director's recommendations and proposals for the 1993-1994 workplan and budget [UNEP(OCA)/EAS IG.4/3, Annex III]. In doing so specific reference was made to the Ninth COBSEA meeting's recommendation that in future COBSEA should concentrate on the development of major projects. Furthermore, the Executive Director's recommendations on the new approach to the future development of project proposals were also highlighted.

45. The Chairman invited the meeting to review the proposals for the 1993-1994 biennium and decide on its workplan and budget.

46. The meeting on the basis of their priorities, the Executive Director's proposals and the available Environment Fund and East Asian Seas Trust Fund resources adopted the 1993-1994 workplan and budget as shown in Table 1 of this report.

47. In connection with the development and financing of the major project proposals based on COBSEA approved project concepts and with the EAS-20 project proposal development as a model (paragraph 37 of [UNEP(OCA)/EAS IG.4/3] and paragraph 48 below), the meeting adopted the Executive Director's recommendations as outlined in paragraph 40 of the Executive Director's report [UNEP(OCA)/EAS IG.4/3].

48. With regards to activity (b) of Table 1, the EAS-20: "*Establishment and Management of a Marine Database and Information Exchange System in the East Asian Seas Region*", the meeting in response to the information in paragraph 37 of the Executive Director's report requested the RCU/EAS on their behalf to

express their deep appreciation and thanks for the positive and constructive response of the Asian Development Bank (ADB) and particularly its Environment Section in arranging the funding for this activity. The meeting noted that the other component of the overall ADB project which will be implemented by ESCAP would also greatly contribute to the overall objectives of the Action Plan in the wider East Asian Seas region. In connection with the EAS-20 project the meeting requested that the RCU/EAS function as the overall coordinator of the project with UNEP's GRID-Bangkok providing the necessary technical implementing back-up support. The meeting also requested the RCU/EAS to inform the ADB that in order to keep the administrative and financial costs down, the ADB could consider utilizing the existing Trust Fund of the East Asian Seas Action Plan (managed by UNEP under the overall guidance of COBSEA) as the most appropriate conduit to channel the EAS-20 project funds.

49. In connection with activity (b) the meeting also took note of a broadly similar project proposal to be developed and funded under the ASEAN-Australian Economic Cooperation:Phase III and agreed that if this project proposal is approved for development there should be close coordination between these two projects.

50. In connection with the activity (c) of Table 1, EAS-23:"*Oil Pollution Control in the East Asian Seas region "Umbrella" Project*", the meeting confirmed that its first component (Oceanographic Features of the East Asian Seas Region) should be implemented by the National Focal Point of Thailand as agreed in the Ninth meeting of the COBSEA. The Second component (Survey and Monitoring of Oil Pollution in the East Asian Seas region), however, would be developed with the allocation of US\$15,000 to the National Focal Point of Indonesia in order to develop a comprehensive project proposal with the assistance of IOC and IMO for funding from outside sources (see paragraph 47 above).

51. With reference to the activity (f) of Table 1, *Workshop on the Biological Effects of the Pollutants*, the meeting confirmed its implementation with the budget that was approved in the Ninth Meeting of the COBSEA.

52. The Secretariat informed the meeting that based on the recommendations of Auditors there is a new directive that prevents UNEP to enter into Memoranda of Understanding with UN and non-UN organizations. Letters of Agreement can be drawn for activities requiring funds of up to US\$ 20,000. Any activity requiring funds above this limit requires a fully developed project document. In view of this and the fact that December 1993 is the end of UNEP's financial biennium, the Secretariat urged that particularly in connection with the activity (f) of Table 1 development of the relevant project proposal should be done in the least possible time to allow the completion of the activities under this project by the end of December 1993.

53. With regard to the activity (k) of Table 1, the Secretariat informed the meeting that it is planned to undertake in three countries of the East Asian Seas region starting in 1994 an evaluation of the percentage contribution of coastal (ocean sector) activities to the GNP, in an effort to further enhance the application of integrated coastal area planning and management. The RCU/EAS will consult the participating countries of the East Asian Seas region on the selection of the three countries and the implementation of the activity would be coordinated by the RCU/EAS with involvement of ESCAP.

Agenda item 9. Extension of the East Asian Seas Trust Fund

54. The meeting decided to keep the level of the Trust Fund the same and requested the Executive Director to make arrangements for the extension of the East Asian Seas Trust Fund through December 1996. The meeting also requested UNEP, through the RCU/EAS, to continue to provide the secretariat functions for the Action Plan which included the overall technical coordination and supervision on the implementation of its projects and the continuation of the management of the Trust Fund during 1993 - 1996.

Agenda item 10. Other business

55. The Chairman invited the meeting to raise any other issues relevant to the future development of the Action Plan.

56. The representative of ESCAP informed the meeting of ESCAP's activities on Environmental Management of the Coastal Areas and the fact that under this project Malaysia and Philippines have been visited and planned visit are underway for People's Republic of China and possibly to the Socialist Republic of Vietnam. He went on to emphasize that ESCAP as a contribution to the development of the East Asian Seas Action Plan and for the purpose of the coordination of relevant activities in the region will share the information on this activity with the RCU/EAS.

57. The representative of the Intergovernmental Oceanographic Commission (IOC) reported on the IOC/WESTPAC activities related to COBSEA. These are the training workshop on Biological Effect of Pollutants in Xiamen, China (in October 1992), workshop on Near-shore Sedimentation in Kuala Lumpur (in 1992), and the planned Regional Training Workshop on River Inputs and Sediments in Vietnam in 1994, in cooperation with the Canadian International Development Agency (CIDA). Moreover, with the setting up of the WESTPAC sub-commission office in Bangkok later in this year, closer cooperation with COBSEA and RCU/EAS is expected.

58. The Chairman proposed and the meeting agreed that the long-term strategy of the COBSEA needs to be reviewed and revised in line with the Chapter XVII of Agenda 21, taking into consideration all the recent national and regional developments concerning the East Asian Seas. An *ad hoc* Working Group drafted an outline (Annex V of this report) to assist the Secretariat in the preparation of the draft long-term strategy for review of the Fifth Meeting of the East Asian Seas Experts (planned for the first quarter of 1994) to be presented to the Eleventh meeting of the COBSEA for adoption.

59. The Secretariat informed the meeting of UNEP's representation at the Beijing briefing session and Manila project formulation meeting of the GEF funded project on the Prevention and Management of Marine Pollution in the East Asian Seas. The meeting also received the document UNEP(OCA)/EAS IG.4/INF.3 which gave the background information on this project.

60. The meeting requested additional information on the status of the development of this project from the representative of UNDP. The UNDP representative informed the meeting of the consultative process with the governments during the formulation stage of the project and that accordingly the project document as prepared by the mission is now being circulated to respective participating governments for their review and endorsement. The meeting was also informed that this project is now in the process of approval by UNDP (New York) for budget allocation purposes only. In addition the project has been designed with maximum flexibility and input/consultation with the participating governments.

61. In view of the general lack of consultation during the formulation of this project the meeting expressed serious concern with regards to the way the development of the project was being handled. They specifically referred to by-passing of the goals of the East Asian Seas Action Plan and COBSEA's long-term strategy and desires in bringing about close coordination of relevant activities in connection with the region's coastal and marine environmental problems. Furthermore, there was a consensus that this project be carried out under the auspices of COBSEA. In connection with further development of this project the meeting was unanimous that:

- there shall be intergovernmental consultation between the participating countries of the East Asian Seas and the non-member governments of the East Asian Seas; and

- there shall be consultation between GEF (UNDP/World Bank/UNEP) and the participating countries of the East Asian Seas.

62. Furthermore, the heads of the delegations, in their capacity as ASOEN, also reiterated their intention to hold parallel consultations with the above-mentioned where views of ASEAN would be raised and reflected. They also informed the meeting that the project to be funded by the GEF did originate from a proposal initiated by ASOEN in their efforts to establish ASEAN Sub-regional Environment Trust (ASSET) with the technical support of WWF-US.

63. The representative of the UNDP then informed the meeting that UNDP (Headquarters) in view of the concerns of the Tenth COBSEA meeting expressed at the 9 July session had decided to defer any decision concerning the approval of the project. A brief background information document on this project and explanation from UNDP Headquarters was submitted to the meeting [UNEP(OCA)/EAS IG.4/INF.7] . The meeting agreed that COBSEA, through the RCU/EAS, confer with UNDP and make the necessary arrangements for an intergovernmental meeting to discuss the project on a mutually agreeable date. This meeting which the UNDP representative thought was planned to be held in Beijing was suggested to be held in Bangkok where the RCU/EAS is located.

Agenda item 11. Adoption of the report

64. The Rapporteur presented the draft report and its annexes to the meeting and they were adopted, with slight amendments, as they appear in this document.

Agenda item 12. Closure of the meeting

65. The meeting was closed by the representative of the Executive Director and by the Chairman. In their closing remarks, both officials expressed their thanks to the Royal Thai Government for the hospitality and the efficient and constructive way the meeting was hosted.

TABLE I
 WORKPLAN AND BUDGET IN THE BIENNIUM 1993-1994

The level of support which may be forthcoming from the Environment Fund of UNEP according to this proposal is subject to the availability of resources in the Environment Fund and to the agreement of COBSEA to allocate adequate matching funds through the EAS Trust Fund. Budget is indicated in thousands of US \$. Resources already committed through signed project documents are not indicated in this annex. TF = Trust Fund; EF = Environment Fund (UNEP). Counterpart contributions of co-operating agencies and supporting organizations are indicated in the "Note", whenever applicable.

Activity	Timetable	Responsibility	1993 Budget		1994 Budget		Note
			TF	EF	TF	EF	
(a) General support for the implementation and coordination of the Action Plan including establishment and running costs of the RCU/EAS support to COBSEA meeting, and EAS programme.	Continuing	UNEP, under the guidance of COBSEA.	100	310.2	200	250	
(b) EAS-20: Establishment and management of a marine database and information exchange system in the East Asian Seas region.	1993-1995	UNEP, ADB, and National Focal Points of the Action Plan, (in consultation with Office of State Minister for Population and Environment).	•	-	-	-	The Secretariat is negotiating with ADB for funding a comprehensive project of up to approximately US\$ 1.1 million. Funds from activity (a) will be used for the project formulation mission that will include consultation with the National Focal Points.

Activity	Timetable	Responsibility	1993 Budget		1994 Budget		Note
			TF	EF	TF	EF	
(g) EAS-26: Conservation and Sustainable Development for the East Asian Seas.	1993-1995	UNEP and the National focal Points of the East Asian Seas with the cooperation of GBRMPA and IUCN (in consultation and within a Memorandum of Understanding with the Ministry of Science Technology and Environment of the Government of Malaysia).	10	-	-	-	On the basis of the successful implementation of the projects EAS-19 and EAS-25 the third Phase of this project need to be developed and implemented. The contribution of US\$ 10,000 from the TF will be used for the project formulation mission including the representative of National Focal Point of Malaysia. It is estimated that a comprehensive project would require approximately US\$ 3-3.5 million. Outside funding will be sought by the Secretariat after project formulation.
(h) EAS-27: Assessment of land-based sources of pollution.	1993	UNEP and the National focal Points of the East Asian Seas (in consultation with and within a Memorandum of Understanding with the Ministry of Environment of the Government of Singapore).	-	25 (the total funds for this project is 56*****)	-	-	This project is in response to the relevant recommendations of Chapter 17 of Agenda 21 which reflected the recommendations of the Meeting of Government Designated Experts on Land-based Sources of Pollution (presented to UNCED) as well as the 14th UNEP Governing Council decision to convene the 1995 International Conference on LBS. The EAS-27 is a follow-up to EAS-21 and for updating of its results and outputs.

Activity	Timetable	Responsibility	1993 Budget		1994 Budget		Note
			TF	EF	TF	EF	
(i) EAS-28: Coastal Resources Management Plan Project for East Asian Seas Region.	1993-1995	UNEP and the National focal Points of the East Asian Seas with the cooperation of SBRMPA and IUCN (in consultation and within a Memorandum of Understanding with the Ministry of Science Technology and Environment of the Government of Malaysia).	10	-	-	-	The contribution of US\$10,000 will be utilized on a MOU between UNEP and NFP of Malaysia for the development of a fully comprehensive project proposal to be presented to outside donors for funding.
(j) Feasibility study on a comprehensive preparedness and response plan to oil and chemical spills, integrating national, sub-regional and regional plans.	1993	RCU/EAS in consultation with the NFPs of participating countries in EAS Action Plan.	-	30	-	-	In preparation of this study, the recommendations of EAS experts on oil pollution (Ball Meeting) and all relevant oil pollution contingency plans in the region will be taken into consideration.
(k) Study of evaluation of the percentage contribution of coastal activities to the GNP.	1994	RCU/EAS in cooperation with ESCAP and in consultation with NFPs and participation of three EAS countries.	-	-	-	50	This activity will be implemented within the framework of a similar project that is being carried out in three countries of Africa.

Activity	Timetable	Responsibility	1993 Budget		1994 Budget		Note
			TF	EF	TF	EF	
(l) Support to the Association of Southeast Asian Marine Scientists (ASEAMS).	Continuing until December 1994	UNEP	-	12	-	13	For background see para.33 of UNEP(OCA)/EAS (G.3/4 and UNEP(OCA)/EAS (G.4/5.
(m) Fifth meeting of experts on the EAS Action Plan: (1) to review and evaluate the scientific results of projects carried out in the framework of the Action Plan; (2) to review and evaluate the project proposals which may contribute to the objectives of the Action Plan; (3) to advise COBSEA and UNEP on environmental problems which may be addressed through the Action Plan and (4) review the Long Term Strategy of COBSEA in the light of emerging environmental problems.	Planned for February- March 1994	UNEP in consultation with EAS Focal Points and the Chairmen of ASEAMS	-	-	-	25	For background see paragraphs 22-28 of document UNEP(OCA)/EAS (G.3/4.

Activity	Timetable	Responsibility	1993 Budget		1994 Budget		Note
			TF	EF	TF	EF	
(n) Eleventh meeting of COBSEA to review the implementation of the Action Plan and to decide on the workplan and budget for the biennium 1995-1996.	Planned for 1994	UNEP in consultation with the National Focal Points	-	-	-	-	Costs to UNEP covered through activity (a)
A Total Proposed New Commitments			225	417.2	200	338	
B Programme Support Costs			29.25	-	26	-	
C Total Proposed New Expenditures and commitments (A + B)			254.25	417.2	226	338	

- The funds approved at the Ninth COBSEA meeting (US\$ 40 from TF and US\$ 20 from EF for 1992-1993) will not be utilized (see NOTE).
- Of the funds approved at the Ninth COBSEA meeting (US\$ 70 from TF and US\$ 10 from EF) US\$ 10 from EF will not be used and contribution from the TF is increased to US\$ 75 (see NOTE).
- The funds approved at the Ninth COBSEA meeting (US\$ 50 from TF and US\$ 10 from EF) will not be utilized (see NOTE).
- These funds were already approved at the Ninth COBSEA meeting for convening the workshop in 1992 (see NOTE and paragraph 13 of UNEP(OCA)/EAS (G.4/3)).
- The total cost of this project is US\$ 56. US\$ 25 will be provided from EF (within the Global Assessment Component of the general budget for LBS) and the balance of US\$ 31 from a Norwegian contribution to cost-benefit studies of LBS.

ANNEX I

LIST OF PARTICIPANTS

INDONESIA

Dr. Surna T Djajadiningrat
Assistant Minister
Ministry for the Environment
Jl. Merdeka Barat No. 15
Jakarta 10110
Indonesia

Tel. : (62-21) 3857578
Fax. : (62-21) 3857578
Telex: 46143 SETNEG IA

Mr. Elmar Lubis
Indonesian Embassy
Petchburi Road
Bangkok 10400
Thailand

Tel. : (66-2) 252 3135-40

Mr. Henk Uktolseya
Ag Deputy Assistant Minister
Ministry for the Environment
Jl. Merdeka Barat No. 15
Jakarta 10110
Indonesia

Tel. : (62-21) 374307, 3454956
Fax. : (62-21) 374307
Telex: 46143 SETNEG IA

MALAYSIA

Dr. Abu Bakar bin Jaafar
Director General,
Department of Environment
Ministry of Science, Technology
and the Environment
13th Floor Wisma Sime Darby
Jalan Raja Laut
50662 Kuala Lumpur
Malaysia

Tel.: (60-3) 293 8402
Fax.: (60-3) 293 1480
Telex: MOSTEC MA 28154
Cable: SEKITAR Kuala Lumpur

Ms. Ch'ng Kim Looi
Director, International Division
Ministry of Science , Technology
and Environment
19th Floor Wisma Sime Darby
Jalan Raja Laut
50662 Kuala Lumpur
Malaysia

Tel.: (60-3) 293 6336
Fax.: (60-3) 291 4345
Telex: MOSTEC MA 28154
Cable: SEKITAR Kuala Lumpur

PHILIPPINES

Mr. Rodrigo Fuentes
Director
Environmental Management Bureau
Department of Environment and
Natural Resources
6th Floor Philippines Heart Centre
East Avenue, Diliman
Quezon City, Metro Manila
Philippines

Tel. : (63-2) 980 224
Fax. : (63-2) 973 254
Telex: 2507 NEPC PU/ 27973 ENVINAR PH
Cable: ENVIRON Manila

SINGAPORE

Mr. Eng Wee Hua
Chief Engineer (Policy Development)
International Environment and
Policy Department
Ministry of Environment
Environment Building
40 Scotts Road, #11-00
Singapore 0922

Tel. : (65) 732 7733
Fax. : (65) 738 4468
Telex: UNISPO RS 33943
Cable: MINENUVIRON

Mr. Lim Teck Ee
Senior Assistant Director
Marine Department
Ministry of Communications
1, Maritime Square #09-66
Singapore 0409

Tel. : (65) 279 0218
Fax. : (65) 279 0231
Telex: RS 50287
Cable: SINGPORT

Mr. Khoo Seow Poh
Head
International Environment and
Policy Department
Ministry of Environment
Environment Building
40 Scotts Road, #11-00
Singapore 0922

Tel. : 65-731 9647
Fax : 65-738 4468
Telex: UNISPO RS 33943
Cable: MINENUVIRON

THAILAND

Ms. Ampan Pintukanok
Chief
Marine and Coastal Resource
National Resources and Environmental
Management Coordination Division
Office of Environmental Policy and
Planning
Ministry of Science, Technology and
Environment
Bangkok, Thailand

Tel. : (662) 279 9182, 279 8088

Mr. Bunyaraks Nisananda
Deputy Secretary-General
Office of Environmental Policy
and Planning
Ministry of Science, Technology
and Environment
Bangkok
Thailand

Tel. : (662) 271 4240
Fax. : (662) 271 4240

Ms. Orapin Wongchumpit
Director
International Environmental
Affairs Division
Office of Environmental Policy
and Planning
60/1 Phibun Wattana 7
Rama VI Road
Bangkok 10400, Thailand

Tel. : (66-2) 271 4322
Fax : (66-2) 271 3226
Telex: 20838 MINISTEN TH
Cable: NALEMBO BANGKOK

Mr. Arthorn Suphapodok
Deputy Permanent Secretary
Ministry of Science, Technology
and Environment
Bangkok
Thailand

Tel. : (662) 245 0748
Fax. : (662) 246 8106

Mr. Jesada Jiraporn
Marine Science Department
Chulalongkorn University
Bangkok
Thailand

Tel. : (662) 251 6968

Captain Phajonsak Sangkaew
Director
Civil Affairs Division
Naval Operation Department
Royal Thai Navy Headquarters
Arunamarin Road
Bangkok Yai
Bangkok
Thailand

Tel. : (66-2) 466 0336
Fax : (66-2) 418 0418

Captain Prajit Pityapat
Assistant Director General
Naval Operation Department
Royal Thai Navy Headquarters
Arunamarin Road
Bangkok Yai, Bangkok
Thailand

Tel. : (662) 466 7924
Fax. : (662) 418 0418

Mr. Prawin Limpsaichol
Chief
Fisheries Oceanography Unit
Phuket Marine Biological Centre
Box 60
Phuket 83000
Thailand

Tel. : (66 76) 391 128, 391 438
Fax. : (66 76) 391 127

Mr. Suphavit Piamphongsant
Senior Environmental Expert
Office of Environmental Policy
and Planning
60/1 Phibun Wattana 7
Rama VI Road
Bangkok 10400
Thailand

Tel. : (662) 279 4769
Fax. : (662) 271 3226

Ms. Viphawan Iamsudha
Attache
Division of Development Affairs
Dept. of International Organizations
Ministry of Foreign Affairs
Bangkok
Thailand

Tel. : (662) 247 2240-6

Mr. Pakorn Prasertwong
Environmentalist
Harbour Department
1278 Yotha Road
Bangkok 10100
Thailand

Tel. : (662) 234 3832
Fax. : (662) 236 7248

Mr. Sakarn Suthipradit
Counsellor
International Organizations Dept.
Ministry of Foreign Affairs
Bangkok
Thailand

Tel. : (662) 245 9367

Ms. Surapee Silpvisuth
Chief
International Cooperation Section
Office of Environmental Policy
and Planning
60/1 Phibun Wattana 7
Rama VI Road
Bangkok 10400, Thailand

Tel. : (662) 271 4322
Fax. : (662) 271 3226

* * * * *

PEOPLE'S REPUBLIC OF CHINA

Mr. Li Ning
Chief Programme Officer
Foreign Affairs Office
National Environmental Protection
Agency
No. 115 Xizhimennei Nanxiaojie
Beijing 100035
The People's Republic of China

Tel.: (86-1) 832 9911 - 3555
Fax : (86-1) 832 8013

Mr. Zua Guangqing
Programme Officer
Marine Environmental Management Div.
National Environment Protection
Agency
No.115 Xizhimennei Nanxiaojie
Beijing 100035
The People's Republic of China

Tel.: (86-1) 832 9911 -3613
Fax : (86-1) 832 8013

SOCIALIST REPUBLIC OF VIETNAM

Dr. Nguyen Chu Hoi
Director
Haiphong Institute of Oceanology
246 Danang Street
Haiphong
The Socialist Republic of Vietnam

Tel. : (84-42) 46 523
Fax : (84-42) 42 510

Mrs. Tran Thi Nhu
Department of Environment
Ministry of Science, Technology
and Environment
35 Tran Hung Dao Street
Hanoi
The Socialist Republic of Vietnam

Tel. : (84-42) 261 517
Fax : (84-42) 252 733
Telex : 412 287 UKKN VT

REPRESENTATIVES OF THE UNITED NATIONS SYSTEM
AND OTHER ORGANIZATIONS

UNITED NATIONS ENVIRONMENT
PROGRAMME (UNEP)

Mr. Reza Amini
Acting Coordinator
Regional Coordinating Unit for
East Asian Seas Action Plan (RCU/EAS)
United Nations Environment Programme
United Nations Building
Rajdamnern Avenue
Bangkok 10200

Tel. : (66-2) 281 2428
Telex: TH 82392 BANGKOK
Fax : (66-2) 280 3829

Mr. John E. Hay
Coordinator, NETTLAP
United Nations Environment Programme
United Nations Building
Rajdamnern Avenue
Bangkok 10200

Tel. : (66-2) 281 2428
Telex: TH 82392 BANGKOK
Fax. : (66-2) 280 3829

Mr. Mahesh Pradhan
Project Assistant, NETTLAP
United Nations Environment Programme
United Nations Building
Rajdamnern Avenue
Bangkok 10200

Tel. : (66-2) 281 2428
Telex: TH 82392 BANGKOK
Fax. : (66-2) 280 3829

Ms.Ina Pranoto
Junior Professional Officer
Regional Coordinating Unit for
East Asian Seas Action Plan (RCU/EAS)
United Nations Environment Programme
United Nations Building
Rajdamnern Avenue
Bangkok 10200

Tel. : (66-2) 280 6087
Telex: TH 82392 BANGKOK
Fax : (66-2) 280 3829

Mr. Peter C. Schröder
Director
Oceans and Coastal Areas Programme
Activity Centre (OCA/PAC)
United Nations Environment Programme
P.O.Box 30552
Nairobi
Kenya

Tel.: (254-2) 215 775
Telex: 25164 UNEPRS
Fax.: (254-2) 230127 or 228890

Mr. Philip Tortell
UNEP Consultant
Environmental Management Ltd.
PO Box 17 391
Wellington
New Zealand

Tel. : (64-4) 476 9276
Fax : (64-4) 476 0000

UNITED NATIONS DEVELOPMENT
PROGRAMME (UNDP)

Ms. Sirisupa Kulthana
Programme officer
UNDP Regional Representative
United Nations Building
Rajadamnern Avenue
Bangkok 10200

Tel.: (662) 280 2704
Fax : (662) 280 1414
Telex: TH 82392, TH 82315

UNITED NATIONS CENTRE
FOR HUMAN SETTLEMENTS
(UNCHS/HABITAT)

Mr. Peter C. Schröder
Director
Oceans and Coastal Areas Programme
Activity Centre (OCA/PAC)
United Nations Environment Programme
P.O.Box 30552
Nairobi
Kenya

Tel.: (254-2) 215 775
Telex: 25164 UNEPRS
Fax.: (254-2) 230127 or 228890

ECONOMIC AND SOCIAL COMMISSION
FOR ASIA AND PACIFIC
(ESCAP)

Mr. Razaul Karim
Chief,
Environment Section
Division of Industry, Human
Settlements & Environment
UN/Economic and Social
Commission for Asia and Pacific
United Nations Building
Rajdamnern Avenue
Bangkok 10200

Mr. Jacobus Zeper
Consultant
Environment Section
Division of Industry, Human
Settlements & Environment
UN/Economic and Social
Commission for Asia and Pacific
United Nations Building
Rajdamnern Avenue
Bangkok 10200

**INTERGOVERNMENTAL
OCEANOGRAPHIC
COMMISSION
(IOC)**

**Dr. Manuwadi Hungspreugs
The Second Vice-Chair of the IOC
Sub-Commission for the Western
Pacific
Department of Marine Science
Chulalongkorn University
Thailand**

**Tel. : (66-2) 251 6968, 252 5971
Fax. : (66-2) 251 1951, 255 0780**

**WORLD METEOROLOGICAL
ORGANIZATIONS
(WMO)**

**Dr. Patipat Patvivatsiri
Director
Division of Studies and Research
Meteorological Department of
Thailand
4353 Sukumvit Road, Bang-Na
Phrakanong
Bangkok 10260**

**Tel. : (662) 399 2355
Fax. : (662) 398 9886**

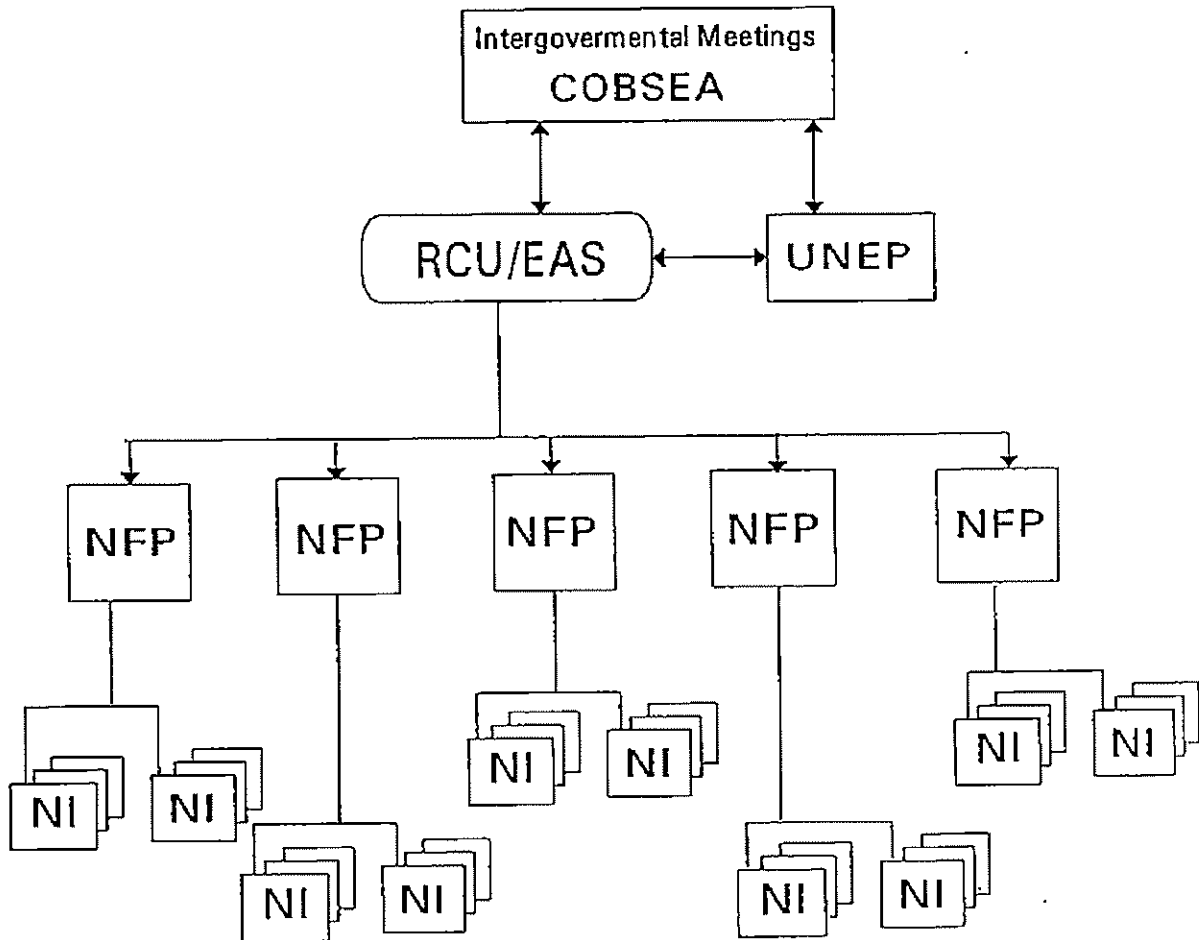
**COMMITTEE FOR CO-ORDINATION OF JOINT
PROSPECTING FOR MINERAL RESOURCES
IN ASIAN OFFSHORE AREAS
(CCOP)**

**Prof. He Qixiang
Chief
Technical Service Unit
CCOP Secretariat
2nd Floor Offshore Mining
Organization Building
110/2 Sathorn Nua Road
Bangrak, Bangkok 10500
Thailand**

**Tel. : 234 3578, 234 3579
Fax : 662 237 1221
Telex: 20959 CCOP TH**

ANNEX 1

COMMUNICATION LINKS ON POLICY MATTERS



ANNEX II

AGENDA

1. Opening of the meeting
2. Organization of the meeting
 - Designation of officers
 - Organization of work
3. Adoption of the agenda
4. Report of the Executive Director
5. Review of 1991-1992 programme activities:
 - Ongoing East Asian Seas projects

 - Establishment of the Regional Coordinating Unit for the East Asian Seas action plan (RCU/EAS)

 - Association of Southeast Asian Marine Scientists
6. Financial report for the period 1975-1992
7. The future role of the Coordinating Unit on the Seas of East Asia (COBSEA) and its future mode of operation
8. Workplan and budget for the biennium 1993-1994
9. Extension of the East Asian Seas Trust Fund
10. Other Business
11. Adoption of the report
12. Closure of the meeting

ANNEX IV

**UNEP'S PROPOSALS FOR THE FUTURE ROLE OF THE
COORDINATING BODY ON THE SEAS OF EAST ASIA (COBSEA)
AND
ITS FUTURE MODE OF OPERATION**

INTRODUCTION

1. The Ninth Meeting of the Coordinating Body of the Seas of East Asia (COBSEA) at Kuala Lumpur (13-15 November 1991) requested "...the Executive Director of UNEP to arrange the preparation of a detailed report on UNEP's perception of the future role of COBSEA and its future mode of operation. Furthermore, the report should deal with proposals on the nature and the type of the projects and activities that could best contribute towards the development of the East Asian Seas Action Plan." (paragraph 42, UNEP(OCA)/EAS IG.3/11).
2. This document is prepared by UNEP's Oceans and Coastal Areas Programme Activity Centre (OCA/PAC) in response to the above-mentioned decision of the COBSEA.
3. As requested by the same meeting the document will be sent to the National Focal Points of the East Asian Seas Action Plan for their review, comments, and adoption.

BACKGROUND

4. The Action Plan for the Protection and Development of the Marine Environment and the Coastal Areas of the East Asian Seas Region was adopted by the representatives of Indonesia, Malaysia, the Philippines, Singapore, and Thailand at the Intergovernmental Meeting on the Protection and Development of the Marine Environment and Coastal Areas of the East Asian Region (Manila, 27-29 April 1981).
5. A second Intergovernmental Meeting (Bangkok, 9-11 December 1981), attended by the representatives of the same countries, determined and adopted the institutional and financial arrangements for the implementation of the Action Plan (paragraphs 36-57, UNEP/IG.31/6), including the terms of reference for the management of the East Asian Seas Trust Fund (Annex VII, UNEP/IG.31/6).
6. For reference a copy of the Action Plan for the Protection and Development of the Marine and Coastal Areas of the East Asian Region (UNEP RSRS No.24), containing the above-mentioned paragraphs is attached to this report.
7. In brief, the Bangkok intergovernmental meeting in addition to (i) adopting the programme priorities for the action plan, (ii) endorsing the establishment of the East Asian Seas Trust Fund, and (iii) requesting UNEP to continue to provide the secretarial services to the Action Plan, also (iv) established the Coordinating Body on the Seas of East Asia (COBSEA).
8. COBSEA, comprising of representatives of the participating countries in the Action Plan, was envisaged as "the overall authority to determine the content of the action plan, to review its progress and to approve its programme of implementation, including the financial implications..". More specifically, through regular annual meetings, COBSEA was expected to:
 - adopt a work plan for implementing the programme;
 - approve the budgetary resources required to support the work plan and their allocation;

- review the progress achieved in implementing the programme since the previous meeting; and
- evaluate the results achieved.

9. The First meeting of the COBSEA was held in Bangkok on 3 April 1982. That meeting decided to initiate the implementation of the action plan through six priority projects (EAS-12, 13, 14, 15, 16, and 17). Since then eight more meetings of COBSEA have been convened, with the last (Ninth) held 13-15 March 1992 in Kuala Lumpur.

10. One of the significant decisions of the COBSEA with direct bearing on this document was the adoption of a "long term strategy for the period 1997-1996" at its Sixth meeting (Bangkok, 27-29 April 1987). The long term strategy, as reflected in the report of the Sixth COBSEA meeting (UNEP/IG.77/6, paragraph 39) is reproduced as Attachment II of this report.

RATIONALE

11. The Ninth meeting of the COBSEA examined the report of the Director of OCA/PAC's Six State Mission of 1991 as well as the report of the high level Mission on the Reappraisal and Revision of the East Asian Seas Region. On the basis of the findings and recommendations of these reports as well as the relevant deliberations and decisions of the First and Second meetings of the ASEAN Senior Officials on Environment (ASOEN), the Ninth meeting of the COBSEA made a number of decisions which significantly influences its future role and mode of operation with respect to the implementation of the East Asian Seas action plan. these, *inter alia*, include:

- "...COBSEA's role within ASEAN was to coordinate COBSEA approved projects.... However, ... COBSEA also has a major role to play within the wider East Asian Seas region.";
- "...urged UNEP to step up its efforts in inviting other countries to join the East Asian Seas Action Plan and report the results of these activities to the next meeting of COBSEA.";
- "...it was imperative that COBSEA strengthen its coordinating capabilities in the East Asian Seas region."; and
- "...a Regional Coordinating Unit (RCU) be formed ...".

12. It was due to the implications of the above-mentioned decisions that the Ninth meeting of COBSEA, recognizing the necessity for the delineation of the new role and the mode of operation of the COBSEA, requested UNEP to prepare and submit to the National Focal Points of the East Asian Seas Action Plan the present document.

FUTURE ROLE AND MODE OF OPERATION OF COBSEA

13. Essentially there will be no change in the overall authority of the COBSEA, as adopted by the second Intergovernmental Meeting (Bangkok, 9-11 December 1981). Through periodic meetings of the representative of the governments participating in the Action Plan, COBSEA will determine the content of the Action Plan, its priorities, approve its programme implementation, review its progress, and decide on the financial issues related to the implementation of the action plan (refer to paragraph 8 for the details).

14. The meetings of the COBSEA will be on annual basis. In order to keep the associated costs of convening the meetings to a minimum whenever possible they will be held back-to-back with the meetings of the ASOEN.

15. The above-mentioned decisions of the COBSEA (paragraph 11) as well as those of the First and Second meetings of ASOEN necessitate the following proposed alterations and/or additions to the functions of the COBSEA. These will also take into the consideration the elevation of the ASEAN Expert Group on Environment (AEGE) to the ASOEN and the abolishment of the role of the Interim Coordinator, together with the decision to establish the Regional Coordinating Unit for the East Asian Seas Action Plan (RCU/EAS):

I. COBSEA as the sole authority to determine content of its Long Term Strategy for the implementation of the action plan, will at regular intervals examine its Long Term Strategy and on the basis of the evaluation of the results of the completed activities as well as relevant developments would amend and extend it accordingly;

II. In order to enhance inter-regional cooperation and exchange of information, COBSEA will regularly review the situation and advise RCU/EAS and UNEP on potential areas of cooperative venture with other Regional Seas Programmes;

III. The channel of communication between UNEP's RCU/EAS and the participating governments in the East Asian Seas Action Plan will be through the National Focal Points of the Action Plan.

IV. COBSEA, with enhanced coordinating activities within the wider East Asian Seas region and in order to avoid duplication on activities, will on policy issues advise and on technical aspects guide the RCU/EAS on the development of its programme activities;

V. COBSEA, with reliance on the information concerning the national, bilateral, and regional activities and programmes, will advise UNEP and the RCU/EAS on avenues to be pursued for securing possible additional funding for its major priority programmes;

VI. In order to save funds, consolidate on the results of the project already completed, and achieve meaningful results within the framework of the priorities of the action plan COBSEA will concentrate on the implementation of major coastal and marine environmental projects and as far as possible, avoiding small scale studies and projects; and

VII. The major projects to be developed for implementation within the priorities of the Action Plan will be based on the elements of the comprehensive Long Term Strategy already adopted by the COBSEA.

16. Many of the elements of the original institutional and financial arrangements adopted by the Second Intergovernmental Meeting (Bangkok, 9-11 December 1981) have in view of the developments since then, decisions of various meetings of the COBSEA, establishment of the Regional Coordinating Unit, as well as the expanded role of the COBSEA have become redundant. In order to up date the institutional and financial arrangements all the above elements are incorporated in the relevant paragraphs of a revised and amended ² Institutional and Financial Arrangements Supporting the Implementation of the Action Plan, Attachment I.

17. The amended version of this document together with the revised Institutional and Financial Arrangements Supporting the Implementation of the Action Plan will, after the inclusion of comments and amendments of the National Focal Points, be presented for formal adoption at the Tenth meeting of the COBSEA.

18. In order to assist the Tenth meeting of the COBSEA in reviewing its present Long Term Strategy and possibly revising it UNEP would undertake to prepare a proposed revision. In this revision the results of the completed activities, new mode of operation of the COBSEA, and the role of the RCU/EAS in it will be taken into consideration.

² The amended altered text in Attachment I is in *italics*.

ATTACHMENT I

INSTITUTIONAL AND FINANCIAL ARRANGEMENTS SUPPORTING THE IMPLEMENTATION OF THE ACTION PLAN

I. INSTITUTIONAL ARRANGEMENTS

Policy guidance and co-ordination

1. *The meeting agreed that/ The overall authority to determine the content of the action plan, to review its progress and to approve its programme of implementation, including the financial implications, is vested in the regular, periodic meetings of governments (intergovernmental meetings) participating in the action plan. For this purpose, the participating governments will form a coordinating body to be known as the Coordinating Body on the Seas of East Asia (COBSEA). The participating governments have agreed that in the case of the ASEAN countries the existing ASEAN Senior Official on Environment would also function as the government representatives in the COBSEA, while in the case of non-ASEAN countries the Government appointed National Focal Point(s) will represent the government(s) in the COBSEA.*

2. COBSEA will make policy decisions concerning all substantive and financial matters related to the action plan, and in particular, will:

- (i) adopt a workplan for the implementation of the programme at each annual meeting;*
- (ii) approve the budgetary resources required to support the work plan and their allocation;*
- (iii) review the progress achieved in implementing the programme since the previous meeting;*
- (iv) evaluate the results achieved;*
- (v) at regular intervals review, amend, and extend the Long Term Strategy; and*
- (vi) provide information and guidance on the coordination of coastal and marine environmental activities within and without the framework of the East Asian Seas activities.*

3. The communication links in respect of policy matters are shown in Annex I to this report.

Overall technical co-ordination

4. *The governments participating in the action plan requested the Executive Director of UNEP to establish the Regional Coordinating Unit for the East Asian Seas Action Plan (RCU/EAS) in order to provide, under his direction, the overall technical coordination and the continuous supervision of the implementation of the action plan.*

5. In order to provide a channel of communication with *RCU/EAS* and UNEP between the periodic meetings of COBSEA, the participating governments have *decided to designate a Coordinating National Focal Point (CNFP)* to undertake this function. The National Focal Point for the *East Asian Seas* will take turn on alphabetical order to discharge the CNFP functions for one calendar year. The Terms of Reference of the CNFP will be the same as those of the now abolished Interim Coordinator. The communication links on technical matters are shown in Annex II.

6. The Ninth meeting of the COBSEA decided on the establishment of a small Regional Coordinating Unit for the East Asian Seas (RCU/EAS). The RCU/EAS when established will be kept small but yet effective in order to maximize the availability of funds for programme activities under the action plan.

National focal points

7. The participating governments have designated the following national focal points (NFP):

- Indonesia: *The Assistant Minister
Ministry of State for Population and Environment*
- Malaysia: *Director-General
Department of Environment
Ministry of Science, Technology and the Environment*
- Philippines: *Director
Environmental Management Bureau
Department of Environment and Natural Resources*
- Singapore: *Deputy Secretary
Ministry of the Environment*
- Thailand: *Secretary-General
Office of Environmental Policy and Planning*

8. The role of the NFPs will be:

- (i) to act as the official channel of communication between the *Coordinating National Focal Point (CNFP)* and their respective governments;
- (ii) to co-ordinate, as appropriate, the participation of national institutions and agencies in the agreed programme;
- (iii) to consult with all relevant organizations within their countries on the activities and progress achieved in implementing the action plan.

National institutions

9. National institutions (NI) (such as research centres, laboratories, government services, universities), designated by each participating government, will provide the institutional basis for carrying out the projects under the action plan. They will be the principal executors of the specific work and research under the action plan. NIs will be designated by the NFPs, taking into account the specific characteristics of the national administration and organizational structure of each State.

10. In order to allow for complete and effective participation in agreed activities, technical assistance (such as provision of equipment and training) may be extended through the action plan to strengthen the capabilities of NIs to participate in the programme.

Sub-regional and regional institutions (SRI and RI)

11. Sub-regional (covering only part of the East Asian region as defined by the action plan) and regional institutions will be used to the maximum possible extent for the implementation or co-ordination of the action plan.

12. Where appropriate, NIs will be proposed by a State to assume a sub-regional or regional role with the objective of providing services in support of the action plan (such as intercalibration exercises or data collection, collation and dissemination).

13. Technical assistance may be provided through the action plan to participating sub-regional and regional institutions.

Networking

14. In principle, several NIs nominated by the NFPs in various States of the region could become participants in any one activity of the action plan. The NIs, working on the same activity, could be linked in a network of co-operating institutions.

15. RIs and SRIs participating in an activity may also be considered as members of the activity's institutional network.

16. It may be decided by governments that it would be useful if one member of a network assumed the role of a regional activity centre (RAC) for that network and became responsible for coordinating the activity for which the network was established.

International organization

17. Participation of the international organizations in the programme, in particular those belonging to the United Nations System, can greatly assist the implementation of the action plan, and, therefore, their technical and managerial support for specific projects may be solicited. UNEP was invited to assume responsibility for coordinating such support. Contacts between the international organizations and NIs participating on specific projects should be channelled through the appropriate NFPs.

II. FINANCIAL ARRANGEMENTS

Financial support

18. Financial support for the activities of the action plan may come from:

- (i) contributions from participating governments to the trust fund according to a scale determined from time to time by the governments concerned;
- (ii) contributions made in addition to (i) above from the participating governments;
- (iii) contributions from governments supporting the action plan but not participating in it;
- (iv) support from any United Nations organization on a project-funding basis;
- (v) support from the regional and international organizations which are not part of the United Nations System (e.g. ASEAN) in most cases on a project-funding basis;
- (vi) *support from bilateral and multilateral donors; and*
- (vii) any other source of funding agreed to by the participating governments.

19. Contributions to the action plan may be in cash or in kind (staff time, experts, training, facilities, services, etc.), or both.

20. Ultimately, the action plan *is expected to be* financially self-supporting through the trust fund or some other mechanisms. In the meantime, it is expected that the Environment Fund of UNEP will provide financial support to the action plan although this will, over time, decrease as a proportion of the total annual cost.

Funding

21. *The original total contribution of the participating governments to the East Asian Seas trust fund was US\$ 86,000, starting in 1982. The present contribution in 1992 is US\$94,600 in accordance with the table below:*

State	US dollars
Indonesia	33,000
Malaysia	18,700
Philippines	20,900
Singapore	1,100
Thailand	20,900
<hr/>	
TOTAL	94,600
=====	

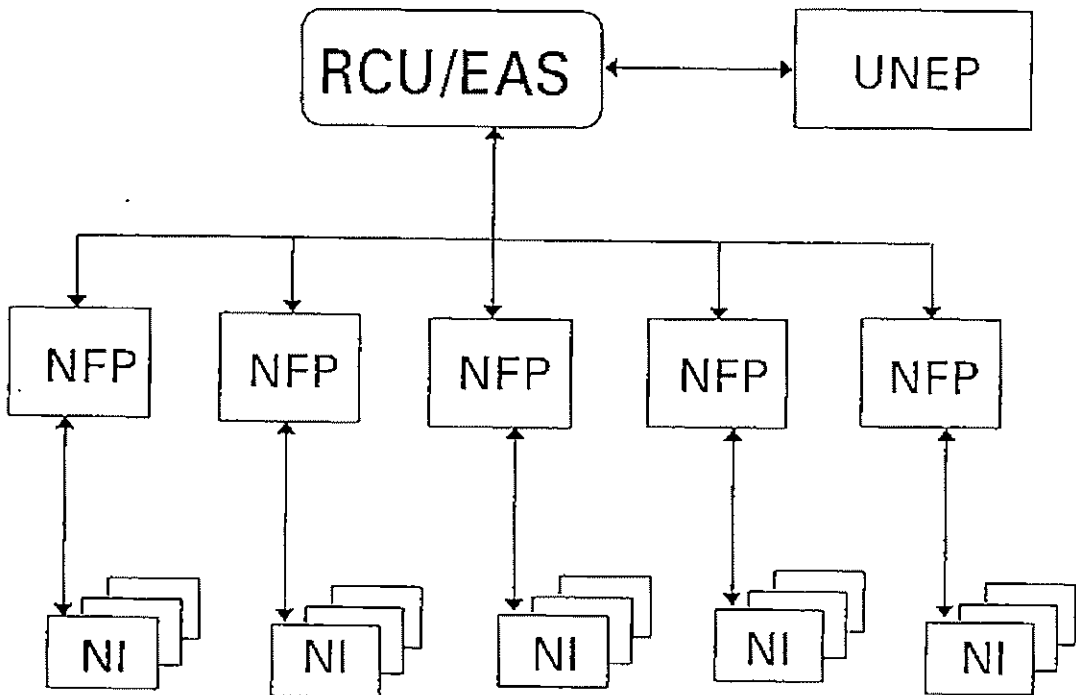
22. *The cost to UNEP relating to the supervision of the activities of the RCU/EAS, in so far as its own staff and related costs are concerned, is estimated at US\$ 50,000 per year. In addition, UNEP, subject to the availability of funds, will contribute toward the programme in accordance with specific and ad hoc needs.*

Management of financial resources

23. In response to the request of the participating governments during the ninth session of Governing Council, a trust fund has been established and the authority for its administration delegated by the United Nation's Secretary-General to the Executive Director of UNEP. The trust fund will therefore be administered according to the financial rules of the United Nations and the terms of reference agreed by the participating governments and provided in annex VII to this report. These arrangements will be subject to review at least six months before the end of the interim period.

ANNEX II

COMMUNICATION LINKS ON TECHNICAL MATTERS



ANNEX III

TERMS OF REFERENCE FOR THE MANAGEMENT OF
THE EAST ASIAN SEAS TRUST FUND

1. The Trust Fund of the East Asian Seas Action Plan for the Protection and Development of the Marine Environment and Coastal Areas of the East Asian Region, hereinafter referred to as the "Trust Fund", is established to provide financial support for the Action Plan adopted by the Intergovernmental Meeting on the Protection and Development of the Marine Environment and Coastal Areas of the East Asian Region, Manila, 29 April 1981.

2. The Trust Fund shall be established for two calendar years beginning 1 January 1982 and ending 31 December 1983. In the event that the participating States wish the Trust Fund to be extended beyond 31 December 1983, the Executive Director of the United Nations Environment Programme (UNEP) shall be so advised in writing at least six months before that date. It is understood that such extension of the Trust Fund shall be decided at the discretion of the Secretary-General of the United Nations.

3. The administration of the Trust Fund shall be entrusted to the Secretary-General of the United Nations and, should he deem it necessary, to the Executive Director of UNEP. The establishment and management of the Trust Fund shall be governed by the Financial Regulations and Rules of the United Nations, the Staff Regulations and Rules of the United Nations, and other administrative policies or procedures promulgated by the Secretary-General. It is understood that these Rules provide that the United Nations shall make a deduction equal to 13 per cent of all expenditures financed from the Trust Fund to defray the administrative support costs of the Trust Fund.

4. The expenditures of the Trust Fund for 1982 and 1983 shall be financed from contributions in accordance with the decisions of financial arrangements adopted by the Intergovernmental Meeting on the East Asian Seas on 11 December 1981. No expenditure from the Trust Fund shall be made in advance of the receipt of contributions, and none shall be made before a minimum of US\$50,000 has been contributed to the Trust Fund.

5. All contributions shall be paid in full convertible United States dollars. Contributions from the States of the region shall be paid in equal yearly installments. The contributions shall be due on 1 January 1982 and 1 January 1983. Contributions shall be paid into the following account:

Account No. 015-002756 UNEP General Trust Funds Account
Chemical Bank, United Nations Branch
New York, N.Y. 10017

indicating purpose of payment: East Asian Seas.

6. Contributions received into the Trust Fund and not immediately required to finance activities shall be invested at the discretion of the United Nations, and any income shall be credited to the Trust Fund.

7. The Trust Fund shall be subject to audit by the United Nations Internal Audit Service.

8. The budget estimates covering the income and expenditure for each of the two calendar years constituting the financial period to which they relate, prepared in United States dollars, as well as the work plan for the same period, shall be submitted to the annual intergovernmental meetings of the States participating in the East Asian Seas Action Plan.
9. The Secretary-General, or the organization designated by him to administer the Trust Fund, shall submit annual reports on the administration of the Trust Fund to the annual intergovernmental meetings of the States participating in the East Asian Seas Action Plan.

ATTACHMENT II

LONG-TERM STRATEGY FOR THE PERIOD 1987-1996

39. The meeting after considering the Executive Director's proposals decided to formulate and adopt the following as COBSEA's long-term strategy for the period 1987-1996:

- (a) The development and protection of the marine environment and the coastal areas for the promotion of the health and well-being of the present and future generations remains the principal objective of the action plan;
- (b) The action plan should provide a framework for an environmentally sound and comprehensive approach to coastal area development appropriate to the needs of the region;
- (c) Projects being implemented within the framework of the action plan will concentrate on the most important issues identified by the Governments of the region as requiring solution through regional co-operation;
- (d) Pollution from petroleum hydrocarbons and the disposal of urban, industrial and agricultural wastes were identified as the most imminent threat to the marine and coastal environment of the East Asian Seas region. Therefore, the action plan will concentrate on activities leading to concrete measures contributing to the control of these pollutants;
- (e) A regional assessment of the major sources of urban, industrial, agricultural and oil pollution will be undertaken, including the identification of their present environmental impact. In parallel with the preparation of this assessment, recommendations for possible control measures will be formulated, in particular those requiring a regionally coordinated approach;
- (f) A regionally applicable methodology for the assessment of environmental risk from major potential pollutants, including suitable environmental impact assessment procedures, will be developed and applied as part of the environmentally sound and comprehensive approach to coastal area development appropriate to the needs of the region;
- (g) A region-wide monitoring system will be initiated to provide, on a continuous basis, regionally comparable information on the levels and trends of marine pollution and to serve as an early warning system for changes which may require action on national or regional level;
- (h) Management plans for the protection, rehabilitation and utilization of endangered coastal and marine living resources (mangroves, coral reefs, seagrass beds, etc.) will be formulated and applied;
- (i) Activities described in (e)-(h) above will be implemented by national institutions of the States participating in the action plan with intensive involvement of scientists, technicians, administrators and other appropriate experts from the East Asian Seas

region. The international, intergovernmental and regional organizations will play an active role in these activities, contributing their expertise and experience in the management of large-scale multidisciplinary intercountry programmes;

- (j) In order to intensify the involvement of regional experts in the implementation of the Action Plan and to benefit from their independent technical advice, a professional NGO should be encouraged to develop capabilities and opportunities and to participate in the activities relevant to the Action Plan;
- (k) The feasibility of the development and adoption of a suitable legal framework (a convention and relevant protocol (s)) for the Action Plan will be explored;
- (l) A system for management (collection, verification, quality control, evaluation, distribution, etc.) of data generated by or relevant to the action plan will be established and operated as part of the action plan;
- (m) A widely-distributed newsletter will be regularly issued in order to improve the communication between scientists, resource managers, development experts, policy-makers and the general public on matters relevant to the action plan;
- (n) In each of the States participating in the action plan coordinating mechanisms for the East Asian Seas action plan will be established under the chairmanship of the respective national focal point in order to ensure timely and effective implementation of Action Plan's projects; and
- (o) UNEP will continue supporting the action plan as part of the UNEP-sponsored Regional Seas Programme. Within the decisions of periodic intergovernmental meetings of the States participating in the action plan (COBSEA) and under the policy guidance of these meetings, UNEP will continue to be responsible for the overall technical co-ordination of the agreed project activities and for the management of the Trust Fund as the action plan's secretariat.

ANNEX V

**OUTLINE OF COBSEA'S LONG TERM STRATEGY IN
THE LIGHT OF UNCED AGENDA 21**

- (m) A widely-distributed newsletter will be regularly issued in order to improve the communication between scientists, resource managers, development experts, policy-makers and the general public on matters relevant to the action plan;
- (n) In each of the States participating in the action plan coordinating mechanisms for the East Asian Seas action plan will be established under the chairmanship of the respective national focal point in order to ensure timely and effective implementation of Action Plan's projects; and
- (o) UNEP will continue supporting the action plan as part of the UNEP-sponsored Regional Seas Programme. Within the decisions of periodic intergovernmental meetings of the States participating in the action plan (COBSEA) and under the policy guidance of these meetings, UNEP will continue to be responsible for the overall technical co-ordination of the agreed project activities and for the management of the Trust Fund as the action plan's secretariat.

with the added refocussing in the following two areas :

* away from a narrow approach which addressed single problems in isolation towards a broad, integrated approach which addresses the same problems in relation to other activities and responsibilities in the coastal zone; and,

* away from a preoccupation with measuring, assessing and monitoring towards acknowledging that this data-gathering, while justified, is only a means to an end and that the effort needs to be extended towards the ultimate goal by applying solutions